

**LED 4700-LUMINAIRE 3,1W & 6,3W, 120-240V, 50-60Hz, IP 67**

Thanks to its sturdy construction, the luminaire is suited to use in wet areas in industry and sites where there is a large danger of breakage. The globe is of impact-resistant polycarbonate and is mounted with four screws. The housings have 2 aluminum cable gland seals PG 16.

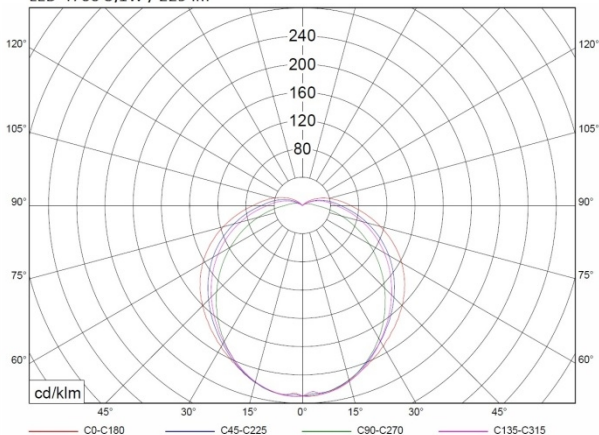
Opal globe, the globes are also available as painted or with text labels. The color of the luminaire frame is brown, beige RAL 7032, white 9010, white 9016 or as specified separately by the customer.

Marine models come with nitrile rubber seals. By special order, with M24 x 1.5 penetration threading or with PG16/M20 adapter. Through connection models also available.

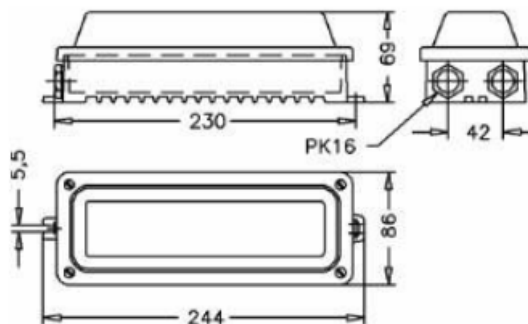
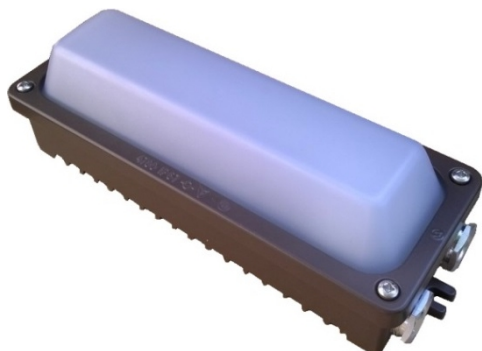
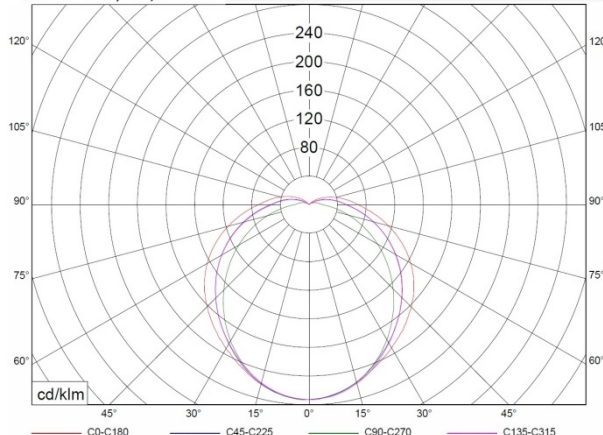
3D CAD models also available, e.g. IGS. and STEP files.

<b>VOLTAGE</b>	120-250 V
<b>ENCLOSURE CLASS</b>	IP 67 (IP68 Cable glands and IP69K Cable glands also available)
<b>TEMPERATURE RANGE</b>	-25 °C - + 65 °C (3,1W + 75 °C)
<b>CONNECTORS</b>	Terminal block 4mm <sup>2</sup> + protective earth ○=
<b>LAMP SOCKET</b>	Inbuilt Led-module
<b>WEIGHT</b>	0,74 kg net
<b>CABLE GLAND</b>	2 x PG16 / Cable Ø 11 mm
<b>LIGHT DISTRIBUTION</b>	3,1W = 229 lm / 6,3W = 493 lm (Light distribution files, IES. & LDT.)
<b>VIBRATION</b>	IEC 60068-2-6, Test Fc: Vibration (sinusoidal) / HODK0001
<b>COUNTRY OF ORIGIN</b>	Finland / Suomi
<b>CERTIFICATION</b>	SGS Fimko, FI 28645 / CE & FI: Certificated according to the standard; EN60598-2-1:1989, EN 60598-1:2008+A11:2009, EN 62493:2010, EN 62471:2008

Selcast Oy  
LED-4700 3,1W / 229 lm



Selcast Oy  
LED-4700 6,3W / 493 lm



We reserve the right to make technical and design changes to the product

OSOITE	ADDRESS	PUHELIN/PHONE	TELEFAX	E-MAIL	KOTIPAIKKA	Y-TUNNUS
Kilantie 19	Kilantie 19	019-278 5800	019-278 5811	selcast@selcast.fi	REGISTRED	0728634-7
PL 36	BOX 36	+ 358 19 278 5800	+ 358 19 278 5811	HOMEPAGE	Karjaa	VAT-NUMBER
10301 Karjaa	FI-10301 Karjaa			www.selcast.fi		FI07286347