



# We have expanded our range of products!

Selcast high-quality electrical installation equipment now also with a new standard color, grey RAL-7035.

7035 painted Products has markets best UV- protection and corrosion shield. All the 7035 products have stainless steel cover screws and oil-resistant gaskets.

The new color and texture give the products a wider installation range, examples of applications on our website. Details of the new products can be found on our website [selcast.fi](http://selcast.fi) or in Finnish [sahkonumerot.fi](http://sahkonumerot.fi) website.

Our new high-quality IP67 Emergency stop push-buttons also push-buttons included in the 7035 series!

ETIM-information and 3D CAD files of our products available.



ETIM and 3D CAD files available of all products.

More information from the manufacturer.

# Junction boxes



16 235 52

## ◀ JUNCTION BOX 2,5 mm<sup>2</sup>

- IP67, PG16 11 mmØ
- 400V
- 4x2,5 mm<sup>2</sup>+ground connector
- Painted/unpainted
- Acid resistance cover screws, grey
- Popular model

## ▶ JUNCTION BOX 2,5 mm<sup>2</sup>, 80 mmØ

- IP67, PG16 11 mmØ
- 400V
- 5x2,5 mm<sup>2</sup>+ground connector
- Painted/unpainted
- Acid resistance cover screws, grey
- Marine suitable



16 233 10



16 235 55

## ◀ JUNCTION BOX 2,5 mm<sup>2</sup>

- IP67, PG16 11 mmØ
- 400V
- 4x2,5 mm<sup>2</sup>+ground connector
- Painted/unpainted
- Acid resistance cover screws, grey
- Popular model

## ▶ MEMBRANE SEAL BOX 2,5 mm<sup>2</sup>

- IP44 with 6xmembrane seal for cabel Ø9–13 mm
- 400V
- Empty or 5x2,5 mm<sup>2</sup>+ground connector
- Painted/unpainted
- Acid resistance cover screws, grey



16 233 71 / 16 233 72



16 235 10

## ◀ JUNCTION BOX 2,5 mm<sup>2</sup>

- IP67, PG16 11 mmØ
- 400V
- 5x2,5 mm<sup>2</sup>+ground connector
- Painted/unpainted
- Acid resistance cover screws, grey
- Popular model

# Aluminium enclosures

## NEW

- Wide range of aluminium enclosures
- IP66-68, IK09
- RAL-7035 colored, ground pre threaded with chromation
- 30 different sizes and possibility to different colors
- 75–260 x 80–160 x 57–91 (l\*w\*k)
- Special modifications by customer needs
- Examples on our website
- More information [www.selcast.fi/](http://www.selcast.fi/)
- Ask fore more information or an inquiry



aluminium Die-cast Enclosure

Product number	Model	Size, mm			DIN-trail		IP
		Length	Width	Height	TS15	TS35	
34 391 00	RJ01	50	45	30	-	-	66-68
34 391 01	RJ02	98	64	34	-	-	66-68
34 391 02	RJ03	150	64	34	-	-	66-68
34 391 03	RJ04	58	64	34	-	-	66-68
<b>34 391 04</b>	<b>RJ05</b>	<b>75</b>	<b>80</b>	<b>57</b>	<b>Y</b>	-	<b>66-68</b>
<b>34 391 05</b>	<b>RJ06</b>	<b>125</b>	<b>80</b>	<b>57</b>	<b>Y</b>	-	<b>66-68</b>
<b>34 391 06</b>	<b>RJ07</b>	<b>175</b>	<b>80</b>	<b>57</b>	<b>Y</b>	-	<b>66-68</b>
34 391 07	RJ08	250	80	54	Y	-	66-68
<b>34 391 08</b>	<b>RJ09</b>	<b>100</b>	<b>100</b>	<b>81</b>	<b>Y</b>	-	<b>66-68</b>
<b>34 391 09</b>	<b>RJ10</b>	<b>160</b>	<b>100</b>	<b>80</b>	<b>Y</b>	-	<b>66-68</b>
34 391 10	RJ25	200	100	80	Y	-	66-68
34 391 11	RJ11	122	120	81	-	Y	66-68
34 391 12	RJ21	220	120	81	-	Y	66-68
<b>34 391 13</b>	<b>RJ22</b>	<b>122</b>	<b>120</b>	<b>91</b>	-	<b>Y</b>	<b>66-68</b>
<b>34 391 14</b>	<b>RJ12</b>	<b>220</b>	<b>120</b>	<b>90</b>	-	<b>Y</b>	<b>66-68</b>
34 391 15	RJ15	160	160	91	-	Y	66-68
<b>34 391 16</b>	<b>RJ13</b>	<b>260</b>	<b>160</b>	<b>90</b>	-	<b>Y</b>	<b>66-68</b>
34 391 17	RJ14	360	160	90	-	Y	66-68
34 391 18	RJ28	180	180	100	-	Y	66-68
34 391 19	RJ29	280	180	100	-	Y	66-68
34 391 20	RJ19	230	200	113	-	Y	66-68
34 391 21	RJ17	280	230	110	-	Y	66-68
34 391 22	RJ18	330	230	111	-	Y	66-68
34 391 23	RJ30	200	230	180	-	Y	66-68
34 391 24	RJ20	330	230	180	-	Y	66-68
34 391 25	RJ31	400	310	110	-	Y	66
34 391 26	RJ32	400	310	180	-	Y	66
34 391 27	RJ33	600	310	110	-	Y	66
34 391 28	RJ34	600	310	180	-	Y	66
34 391 29	RJ35	400	230	110	-	Y	66

Y = Yes

**Bold rows, in stock, other by special order**

**IK09**

# Emergency/stop push-button



23 100 05-07



23 100 00-02



23 100 25-27



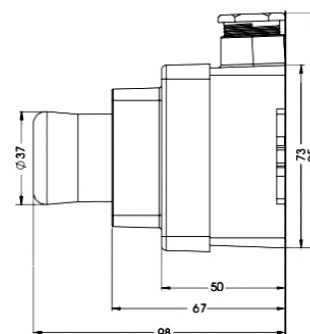
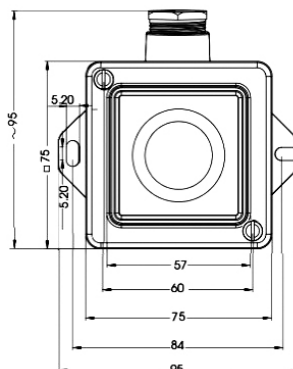
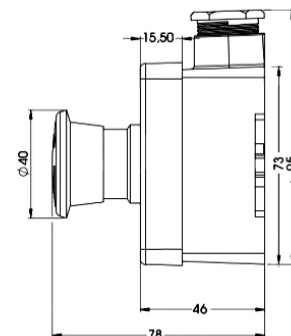
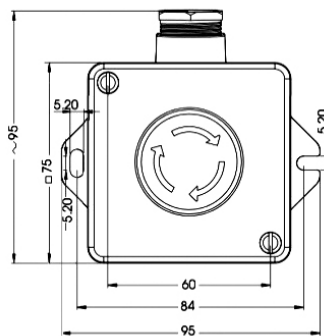
23 100 15-17



23 100 55-57

## SELCAST EMERGENCY/STOP PUSH-BUTTON IP44-67

- 2NO/2NC/NO + NC (open + closed)
- PG16, 11 mmØ
- IP44 2xmembrane seal or IP67 PG16
- Different penetrations
- Acid resistance cover screws, grey
- For demanding environment
- 2NO / 2NC, possible also to get as 3NO/3NC
- Turn or pull relief
- 240V/1A & 24V/0,3A, 24-125 VDC
- 115-500 VAC / 24/220DC
- Pushbutton made of polycarbonate, good strength in demanding environment
- Cover 1021/1003 and box7035
- Box and cover IK08



# Pushbutton



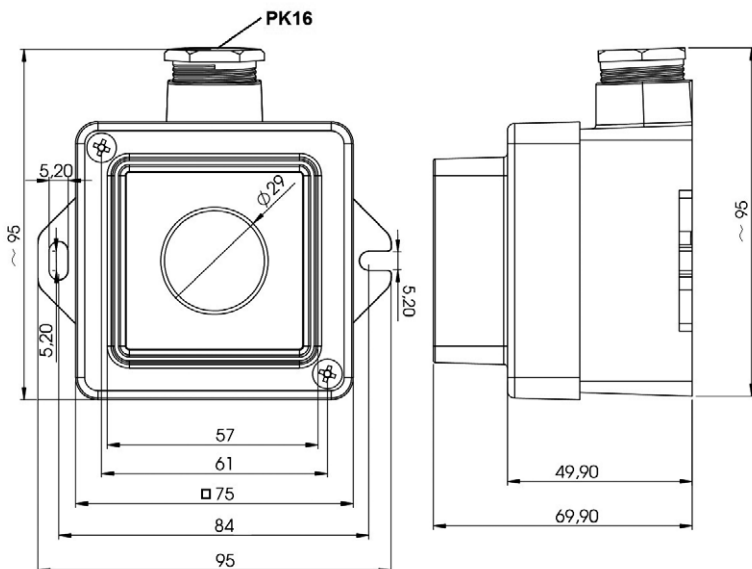
20 454 11



20 454 21

## PUSHBUTTON IP67, 240V, 1A

- NO + NC (open+close.)
- 2NO / 2NC possible
- PG16, 11 mmØ
- Grey button as standard, mention if you want it as black, red or
- Different penetrations
- 240V/1A & 24V/0,3A, 24–125 VDC,
- 120 VAC 1.5A America
- Illuminated model 20 459 XX ,
- NO version red or green light
- Connection, min. 1x0,5 mm<sup>2</sup> and max. 2x1,5 mm<sup>2</sup>, Screw connections
- Acid resistance cover screws
- For demanding environment
- Pushbutton made of polycarbonate, good strength in demanding environment
- Box and cover, aluminium, IK08
- Heavy duty rubber possible for extra demanding environment, oil and kitchens



20 459 21



20 459 11

# Socket-outlets



24 018 53

## ◀ SOCKET OUTLET IP44, 250V, 16A

- PG16, 11 mmØ
- Different penetrations
- Acid resistance cover screws, grey
- For demanding conditions
- Wide range of international IEC standard sockets, e.g. NEMA/BR
- USB-function possibility
- Lockable version, please see below
- E.g. 24 018 53

## ▶ DUAL SOCKET OUTLET IP44, 250V, 16A

- PG16, 11 mmØ
- Different penetrations
- Acid resistance cover screws, grey
- For demanding conditions
- Wide range of international IEC standard sockets, e.g. NEMA/BR
- USB-function possibility
- Lockable version possible
- E.g. 24 019 51



24 019 51



24 018 56

## ◀ SWITCHGEAR SOCKET OUTLET IP44, 250V, 16A

- 55 mmØ assembly hole
- Lockable version possible
- E.g. 24 018 56

## ▶ LOCKING SOCKET OUTLET IP44, 250V, 16A

- PG16, 11 mmØ
- Different penetrations
- Acid resistance cover screws, grey
- For demanding conditions
- E.g. 24 018 57



24 018 57

# Switches



20 053 62 / 20 053 66

## ◀ SWITCH IP44, 250V

- PG16, 11 mmØ
- 2-pole & 6/1
- Different penetrations
- Acid resistance cover screws, grey
- For demanding conditions
- Also with signal lamp

## ▶ WATER-TIGHT SWITCH IP67, 250V

- PG16, 11 mmØ
- 2-pole & 6/1
- Different penetrations
- Acid resistance cover screws, grey
- For demanding conditions
- Also with signal lamp
- Marine environment



20 055 62 / 20 055 66



20 055 96

## ◀ ROTARY SWITCH IP67, 250V, 10A, CHANGE-OVER

- PG16, 11 mmØ
- 2-pole / 1-2-1-2
- Different penetrations
- Acid resistance cover screws, grey
- For demanding conditions
- Marine environment

## ▶ ROTARY SWITCH IP67, 250V, 10A

- PK16, 11 mmØ
- 2-pole / 0-1
- Different penetrations
- Acid resistance cover screws, grey
- For demanding conditions
- Marine environment



20 055 94



# Luminaires



43 071 53 / 43 071 56



43 070 39 / 43 070 59

## ◀ LED-4700 Luminaire 3,1W and 6,3W

- 220–240V AC 50–60Hz (DC, 120V AC )
- IP67
- PG16, 11 mmØ
- FI-certified
- Different penetrations
- Acid resistance cover screws, grey
- For demanding environments
- Opal cover
- 3,1W 229 lm
- 6,3W 493 lm
- 24V DC and 12V DC models available
- Energy saving up to 65%, 25 % lower weight.
- 2x4 mm<sup>2</sup> + 2,5 mm<sup>2</sup> terminalblock
- Light distribution files
- Shield frame available
- Grey 7035, Brown, Beige 7032 and other colors
- 244x86x69 mm

## ▶ PL-Luminaire 9W

- 230V AC 50/60 Hz(DC)
- IP67
- PG16, 11 mmØ
- FI-certified
- Different penetrations
- Acid resistance cover screws, grey
- For demanding environments
- Clear/Opal cover
- 9W 205/240 lm
- 2x4 mm<sup>2</sup> + 2,5 mm<sup>2</sup> terminalblock
- Light distribution files
- Shield frame version
- Grey 7035, Brown, Beige 7032 and other colors
- 244x86x69 mm



43 070 90 Shield frame



43 070 51 / 43 070 58



43 070 54

## ◀ PL-Luminaire 11–24W

- 230V AC 50/60 Hz
- IP55
- PG16, 11 mmØ
- FI-certified
- Different penetrations
- Acid resistance cover screws, grey
- For demanding environments
- Clear/Opal cover
- 616–1251 lm
- 2x4 mm<sup>2</sup> + 2,5 mm<sup>2</sup> terminalblock
- Light distribution files
- Grey 7035, Brown, Beige 7032 and other colors
- 244x86x69 mm

# Junction boxes, enclosures and accessories



16 235 75



16 237 80

## ◀ JUNCTION BOX 6 mm<sup>2</sup>

- IP67, PG21 18 mmØ
- 690V
- 4x6 mm<sup>2</sup>+ground connector
- Painted/unpainted
- Acid resistance cover screws, grey

## ▶ JUNCTION BOX 2,5–16 mm<sup>2</sup>, 100/150/200 mmØ

- IP67, PG21/29/36
- 690V
- 5x6-16 mm<sup>2</sup>+ground connector
- Painted/unpainted
- Acid resistance cover screws, grey



16 238 24



34 390 40–41  
34 390 46–48  
34 390 70–71

## ◀ UNIVERSAL ENCLOSURE

- IP67, PG16 11 mmØ
- 310x172x120 mm
- Different penetrations
- 3x25A/35A
- For small houses, installation on wall or poles

## ▶ SELCO-ENCLOSURES (empty)

- IP66, IK10
- II-flange assembly holes
- 300–500 x 300x500 x 135/170 mm
- Painted/unpainted



34 390 11–68

## SMALL ENCLOSURES

- IP67
- 3X01, 3X02, 3X03 models
- Special customer modifications

## CABLE TERMINATORS

- IP44
- I & II flange size
- Order.nr: 52 412 XX

## BLANK FLANGE

- IP66, IK10
- Solid and with knock-out flanges
- Special customer modifications
- I-, II-, III-Flange
- Socket outlet flange
- Order.nr: 34 011 XX

# Subcontracting

Since 1978 Selcast Oy has, besides own products, offered manufacturing of light metal casting components.

Our Finnish customers are working in the electrics, electronics, communications technology, furniture, automotive and health care industries.

As Your partner we assist You from the early beginning with research and development. We have mostly delivered the cast-products completely ready for our customer production line incl. machining, surface and sub assembly.

## Social media

---



Like us on Facebook, [www.facebook.com/selcast.fi](http://www.facebook.com/selcast.fi)



Follow us on LinkedIn, Selcast Oy

---

# 19 45

## **DECADES OF EXPERTISE IN ALUMINIUM PRODUCTS**

The range of aluminium die cast electrical installation accessories that Selcast Oy produces is among the widest in the world. It includes different kinds of branching boxes, switches, sockets, lamps and casings, all of which can be further customised to fit client needs. We also manufacture specialized products for shipbuilding.

We base our operation on open interaction, flexibility and listening to our clients' needs. This approach has been rewarded over the years with lasting customer relationships and functioning co-operation with our partners. Our personnel is dedicated and flexible, which is in turn manifested in prompt and reliable consignments, both domestically and internationally. We co-operate with large electrical wholesale companies and other partners that guarantee on their part that our products are available where and when needed.



Kilantie 19, 10300 Karjaa, FINLAND  
Tel: +358 19 278 5800  
Email: [selcast@selcast.fi](mailto:selcast@selcast.fi)  
[www.selcast.fi](http://www.selcast.fi)